

-----THE CHOCOLATE BOX-----

**A UNIQUE SYSTEM THAT DISPENSES
RICH AND VELVETY CONTINENTAL DRINKING CHOCOLATE.
NO FROTHING MILK OR SANITISING 'PADDLE' MACHINES**

THE SYSTEM



Luxury dark or white
Continental Chocolate
with hot milky froth.

Choice of eight different
chocolate drinks plus
lashings of hot water for
tea.

A perfect drink produced
in 10 seconds by the
push of one button.

Choice of three cup and
mug sizes for each drink

Slim enough to fit by the side
of an espresso machine



THE MENU

rich
thick
continental
drinking
chocolate

*Spicy cinnamon, creamy white, luxurious dark or a
liqueur mixture, the combinations are endless and
they are all*

CHOCOLATE...CHOCOLATE...CHOCOLATE

Breakfast At Tiffany's

A steaming cup of rich dark chocolate with a warm croissant at breakfast time (or perfect with your Pain-au-chocolat!)

Knights In White Satin

Elegant white chocolate, smooth, rich and very creamy, served in a tall glass sprinkled with grated chocolate or cinnamon

Decadent Vanilla

Dessert chocolate served in a small jug on a tray poured over a scoop of vanilla ice cream or marshmallow at the table.

Ebony & Ivory

A long glass of white and dark chocolate mixed with hot frothy milk, sprinkled with grated chocolate.

The Original Chocca Mocha

Thick dark chocolate poured through a shot of aromatic espresso coffee, topped with grated chocolate.

Classic Hot Chocolate

The traditional cup of hot whipped creamy chocolate

Choco-tail

Thick dark chocolate and white chocolate served in a liqueur glass sprinkled with grated chocolate over your favourite liqueur or on its own. Try Tia Maria, Jamacian Rum, Brandy or Cointreau

THE SPECIFICATION

Cup counter for all drink selections

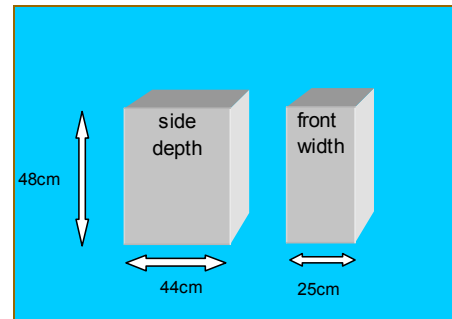
Automatic flushing system

Mains water inlet and power lead under machine

Water tank fills automatically after each cup is drawn

Can be operated by portable pump and tank

Power requirements: 13 amp socket 2.4 element
Plumbing: 15mm stopcock...no waste
Size in inches: W 10 x D 17 x H 19
Size in cm: W 25 x D 44 x H 48
Weight: 20kg



Ingredient containers hold:

Large	Topping	190 cups
	Chocolate	120 cups
Medium	Chocolate	60 cups
	Coffee	270 cups
	Topping	65 cups

CALL US NOW FOR FURTHER INFORMATION AND ARRANGE FOR US TO MAKE YOU A DELICIOUS 'ANYWAY YOU LIKE IT' DRINK

NAME _____

COMPANY NAME _____

ADDRESS _____

ADDRESS _____

ADDRESS _____ ZIP/POST CODE _____

TEL: (COUNTRY CODE _____) _____ FAX _____

E-MAIL _____

PERKUP Coffee Systems PO BOX 616 RICKMANSWORTH HERTS WD3 0BA ENGLAND
PHONE **0044 1923 233489** FAXBACK **0044 207 427 5701**
or e-mail: perkupcoffee@btinternet.com